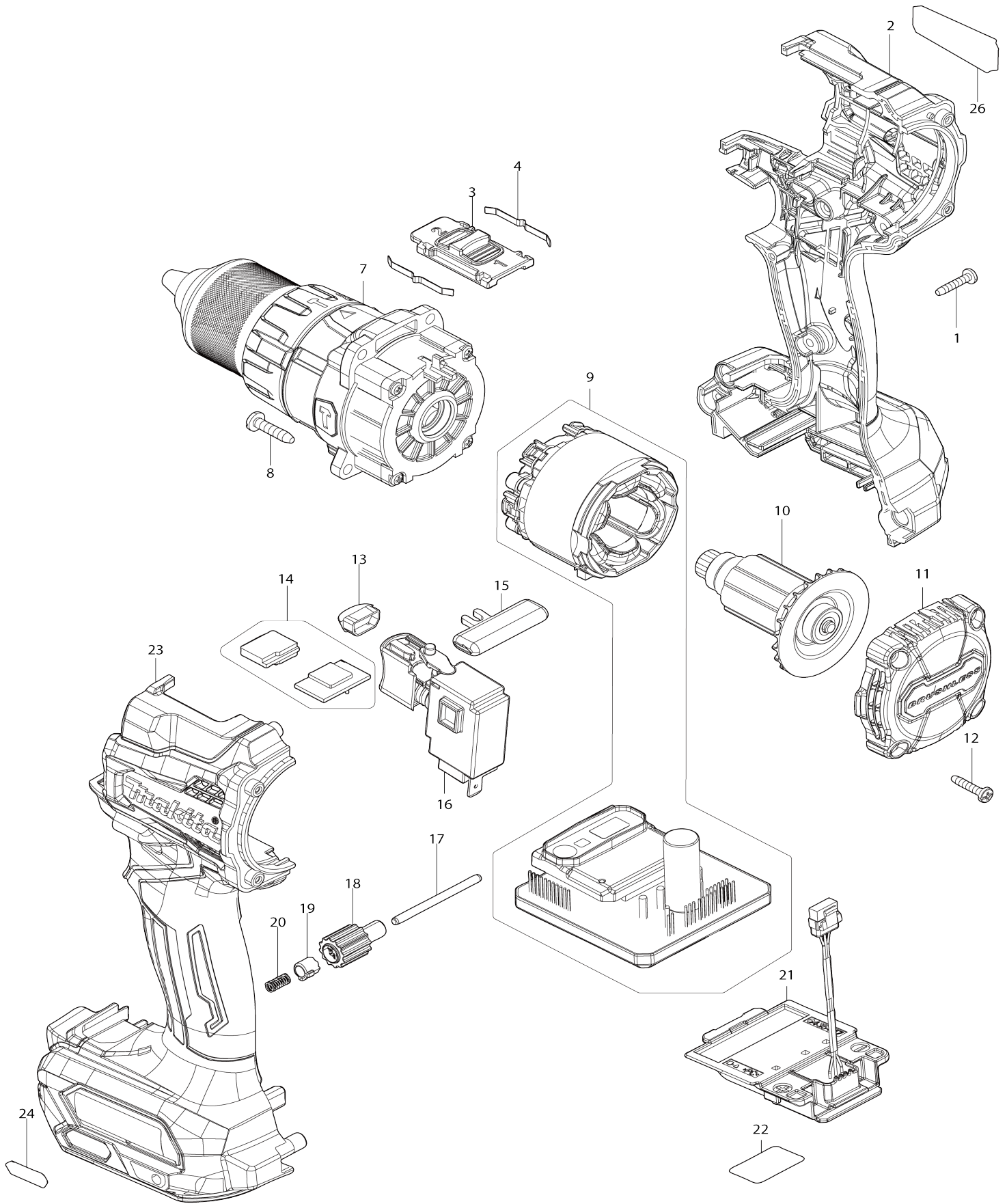


Model No. HP001G CORDLESS HAMMER DRIVER DRILL

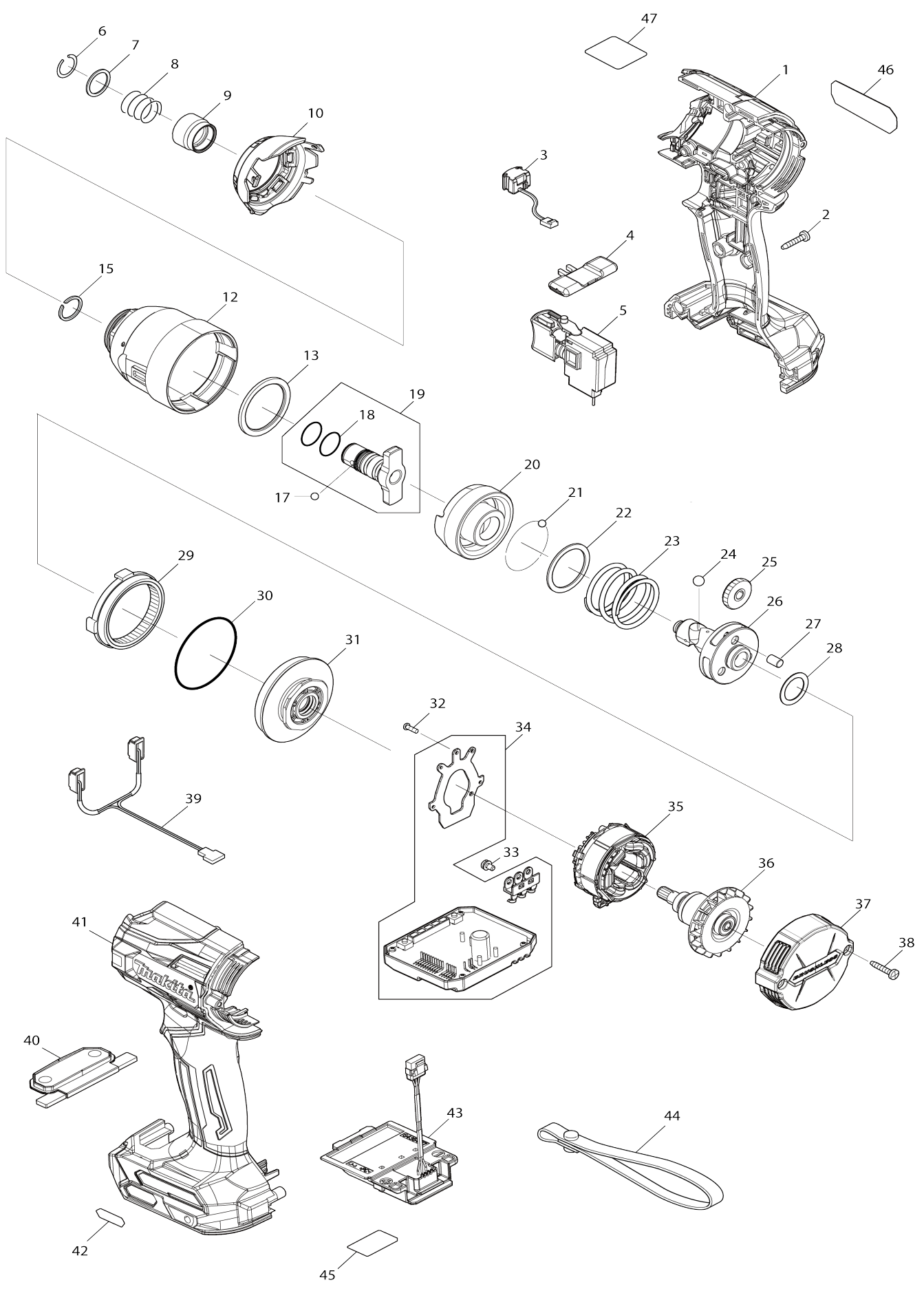


Model No.HP001G CORDLESS HAMMER DRIVER DRILL

Item No.	Parts No.	Description
001	266130-9	TAPPING SCREW BIND PT 3X16
002	183N73-3	HOUSING SET
C10	263005-3	RUBBER PIN 6
C20	252126-6	HEX. LOCK NUT M4-7
C30	422569-8	SPONGE SHEET
002		INC. 23
002-1	183S37-7	HOUSING SET
C10	263005-3	RUBBER PIN 6
C20	252126-6	HEX. LOCK NUT M4-7
C30	422569-8	SPONGE SHEET
002-1		INC. 23
003	127494-5	SPEED CHANGE LEVER ASSEMBLY
C10	233438-6	COMPRESSION SPRING 4
004	232220-0	LEAF SPRING
007	136229-3	KEYLESS DRILL CHUCK ASS'Y
007-1	136359-0	KEYLESS DRILL CHUCK ASS'Y
C10	763252-1	KEYLESS DRILL CHUCK 13
C20	127727-8	GEAR ASSEMBLY
C30	251468-5	- FLAT HEAD SCREW M6X22
007-2	136405-9	KEYLESS DRILL CHUCK ASS'Y
C10	763252-1	KEYLESS DRILL CHUCK 13
C20	122A40-5	GEAR ASSEMBLY
C30	251468-5	- FLAT HEAD SCREW M6X22
008	266326-2	TAPPING SCREW 4X18
009	629476-8	STATOR COMPLETE
C10	8009H0-8	SWITCH LABEL
010	619613-2	ROTOR
010-1	619613-2	ROTOR
011	412361-0	REAR COVER
012	266130-9	TAPPING SCREW BIND PT 3X16
013	620549-0	LED CIRCUIT
014	620C81-2	SENSOR CIRCUIT
015	419041-9	F/R CHANGE LEVER
016	651443-5	SWITCH C3JR-4B
017	256949-4	ROD 3
018	140R76-4	DIAL COMPLETE
019	313288-6	DIAL CAM
020	232597-3	COMPRESSION SPRING 3
021	632P49-4	TERMINAL UNIT
022	856S98-7	HP001G SERIAL NO. LABEL
023	183N73-3	HOUSING SET
C10	263005-3	RUBBER PIN 6
C20	252126-6	HEX. LOCK NUT M4-7
C30	422569-8	SPONGE SHEET
023		INC. 2
023-1	183S37-7	HOUSING SET
C10	263005-3	RUBBER PIN 6

C20	252126-6	HEX. LOCK NUT M4-7
C30	422569-8	SPONGE SHEET
023-1		INC. 2
024	8007R2-2	XGT LOGO LABEL
026	856S91-1	HP001G NAME PLATE
A01	127551-9	GRIP ASSEMBLY
C10	140S65-5	ARM R COMPLETE
C20	140S66-3	POLE COMPLETE
C30	266886-4	HEX. BOLT M8X65
C40	319966-6	ARM L
C50	962055-2	RETAINING RING (INT) R-15
C60	265785-7	THUMB SCREW M5X10
C70	931202-6	HEX. NUT M5
A01-1	122D08-9	GRIP ASSEMBLY
C10	140S65-5	ARM R COMPLETE
C20	140S66-3	POLE COMPLETE
C30	266886-4	HEX. BOLT M8X65
C40	319966-6	ARM L
C50	962055-2	RETAINING RING (INT) R-15
C60	265C34-0	THUMB SCREW M5X10
C70	931202-6	HEX. NUT M5
A02	251314-2	+ TRUSS HEAD SCREW M4X12
A03	346317-0	HOOK
A04	784637-8	+ - BIT 2-45
A05	452947-8	BIT HOLDER
A06	122576-8	STOPPER POLE ASS'Y
A07	412393-7	BATTERY COVER
A08	***DC40RA	DC40RA FAST CHARGER
A08		COMPO-PARTS
A09	191B36-3	BATTERY BL4025 SET
A09	191B26-6	BATTERY BL4040 SET
A10	821551-8	CONNECTOR PLASTIC CASE (TYPE3)
C10	453974-8	LATCH
A11	835F93-2	INNER TRAY
A12	8010K2-4	HP001GD201 INDICATION LABEL
A12	8010L2-1	HP001GM201 INDICATION LABEL
A13	8010K3-2	HP001GD201 PLASTIC CASE LABEL
A13	8010L3-9	HP001GM201 PLASTIC CASE LABEL

Model No.TD001G CORDLESS IMPACT DRIVER

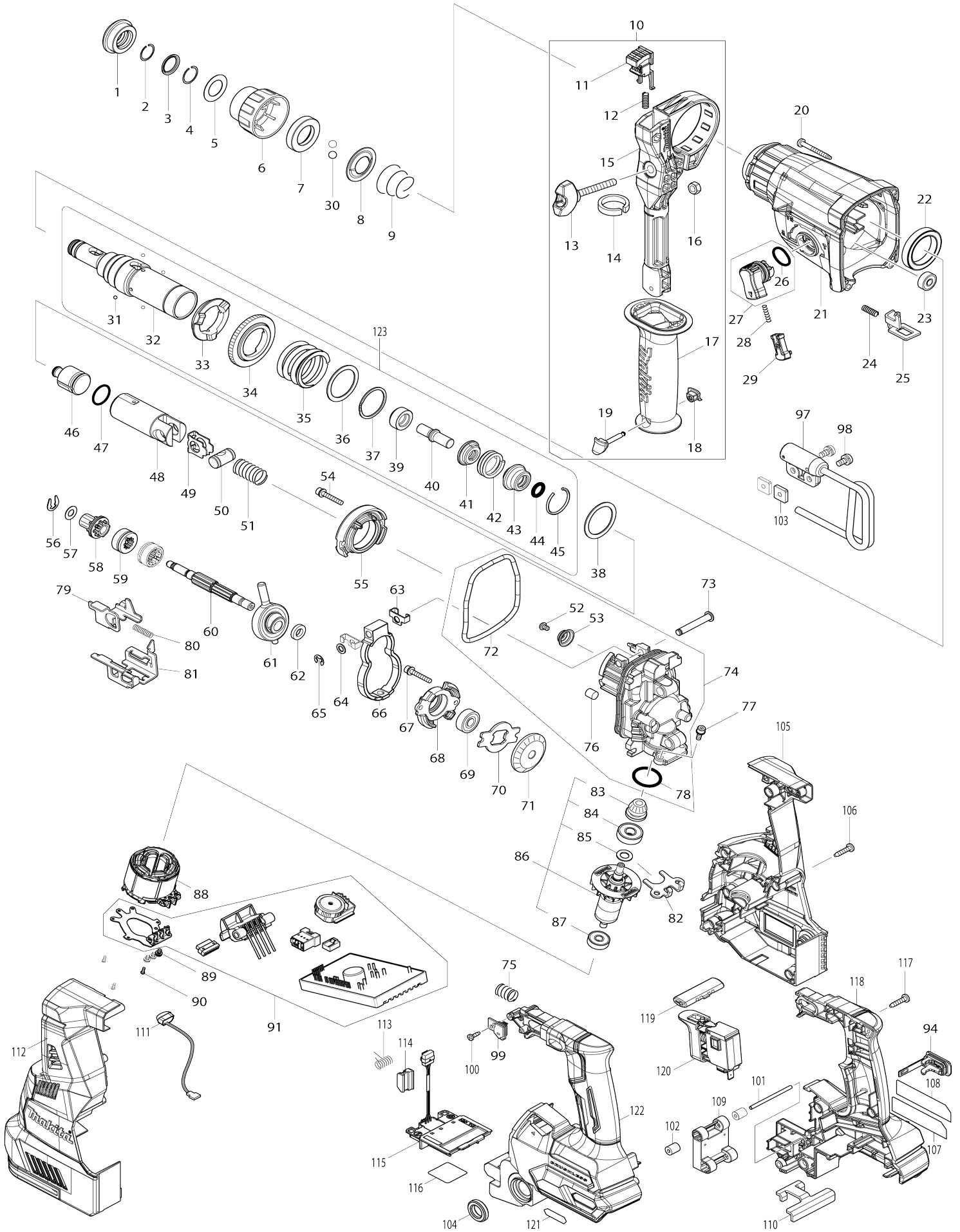


Model No.TD001G CORDLESS IMPACT DRIVER

Item No.	Parts No.	Description
001	183P56-5	HOUSING SET
C10	263005-3	RUBBER PIN 6
C20	252126-6	HEX. LOCK NUT M4-7
C30	422616-5	SPONGE SHEET
001		INC. 41
001-1	183P56-5	HOUSING SET
C10	263005-3	RUBBER PIN 6
C20	252126-6	HEX. LOCK NUT M4-7
001-1		INC. 41
002	266130-9	TAPPING SCREW BIND PT 3X16
003	632L84-8	SWITCH UNIT
004	455053-8	F/R CHANGE LEVER
005	651442-7	SWITCH C3JR-1A-1
006	231952-6	RING SPRING 12
007	267101-9	FLAT WASHER 14
008	232592-3	COMPRESSION SPRING 14
009	327531-7	BIT SLEEVE
009-1	327960-4	BIT SLEEVE
010	136171-8	HAMMER CASE COVER ASSY
C10	422269-0	BUMPER
012	140R47-1	HAMMER CASE COMPLETE
C10	210177-5	BALL BEARING 68/14LLU
C20	267063-1	FLAT WASHER 18
C30	962113-4	RETAINING RING R-24
013	261160-5	NYLON WASHER 30
015	259075-8	RETAINING RING(EXT) WR-14
017	216001-0	STEEL BALL 3.5
018	213118-0	O RING 12
019	136205-7	ANVIL M ASS'Y
019		INC. 18
020	327525-2	HAMMER
021	216001-0	STEEL BALL 3.5
022	267342-7	FLAT WASHER 26
023	232591-5	COMPRESSION SPRING 25
024	216013-3	STEEL BALL 6
025	226960-0	SPUR GEAR 24
025-1	227915-8	SPUR GEAR 24
025-2	227926-3	SPUR GEAR 24
026	327524-4	SPINDLE
027	268311-1	PIN 5
028	267194-6	FLAT WASHER 15
029	226961-8	INTERNAL GEAR 56
030	213892-0	O-RING 43
031	140R48-9	BEARING BOX COMPLETE
032	266490-9	TAPPING SCREW PT 2X6
033	652069-6	FLAT HEAD SCREW M3X6
034	620B96-3	CONTROLLER

035	629464-5	STATOR
036	619605-1	ROTOR
037	412339-3	REAR COVER
038	266130-9	TAPPING SCREW BIND PT 3X16
039	620B97-1	LED CIRCUIT
040	140R54-4	SWITCH PLATE COMPLETE
C10	8011F4-1	SWITCH LABEL
041	183P56-5	HOUSING SET
C10	263005-3	RUBBER PIN 6
C20	252126-6	HEX. LOCK NUT M4-7
C30	422616-5	SPONGE SHEET
041		INC. 1
041-1	183P56-5	HOUSING SET
C10	263005-3	RUBBER PIN 6
C20	252126-6	HEX. LOCK NUT M4-7
041-1		INC. 1
042	8007R2-2	XGT LOGO LABEL
043	632P49-4	TERMINAL UNIT
045	856V15-5	TD001G SERIAL NO. LABEL
046	856V08-2	TD001G NAME PLATE
A01	266622-8	+ TRUSS HEAD SCREW M4X12
A02	346317-0	HOOK
A04	412393-7	BATTERY COVER
A05	191B36-3	BATTERY BL4025 SET
A05	191B26-6	BATTERY BL4040 SET
A06	***DC40RA	DC40RA FAST CHARGER
A06		COMPO-PARTS
A07	821550-0	CONNECTOR PLASTIC CASE (TYP E2)
C10	453974-8	LATCH
A08	8011K5-4	TD001GD201 PLASTIC CASE LABEL
A08	8011L2-7	TD001GM201 PLASTIC CASE LABEL
A09	8011K4-6	TD001GD201 INDICATION LABEL
A09	8011L1-9	TD001GM201 INDICATION LABEL
A10	835F94-0	INNER TRAY
A12	784044-5	+BIT2-50
F04-1	191F58-7	TOOL HANGER SET

Model No.HR001G 28MM CRDLS COMBINATION HAMMER



Model No.HR001G 28MM CRDLS COMBINATION HAMMER

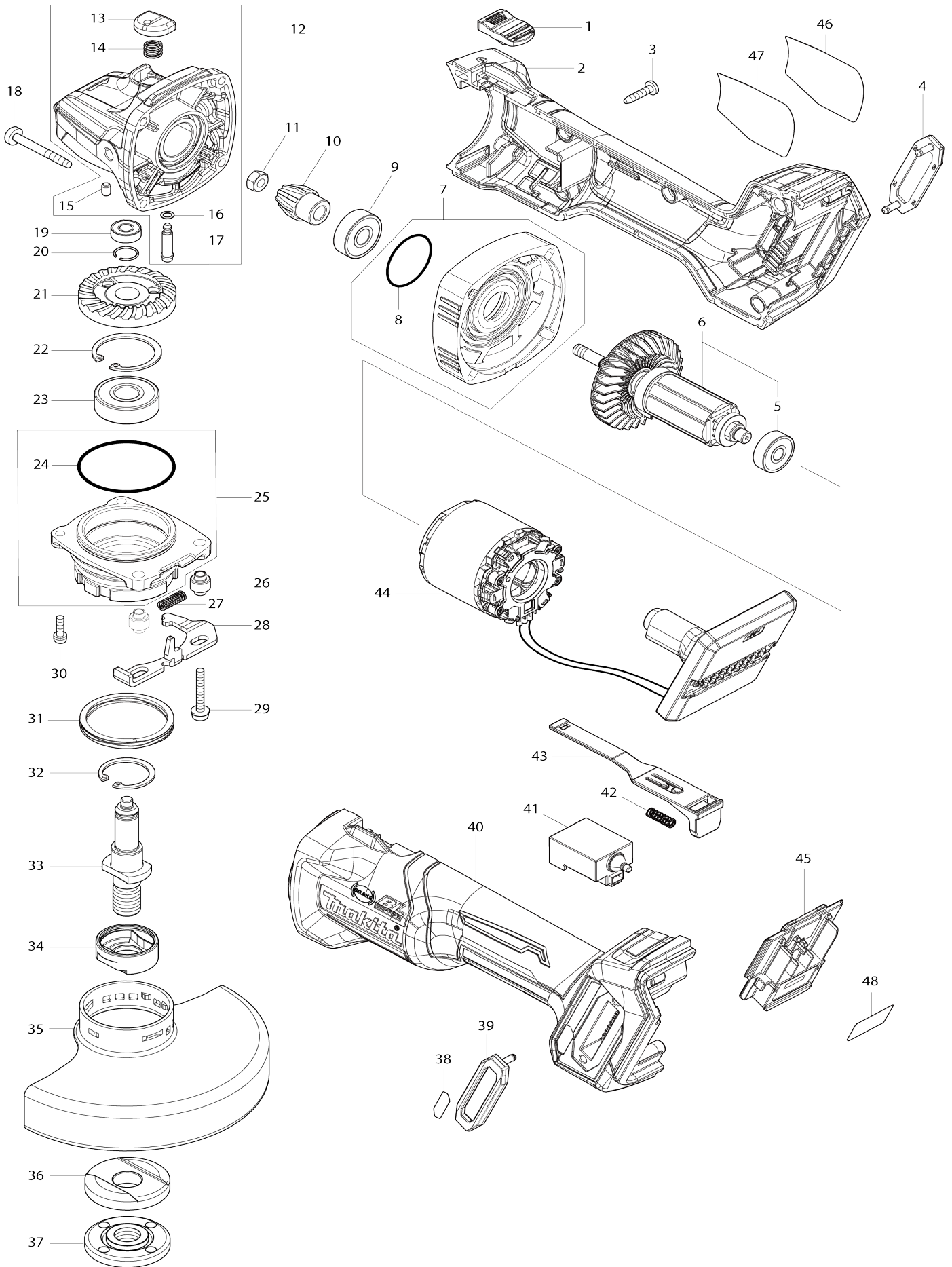
Item No.	Parts No.	Description
001	286288-8	CAP 35
002	233989-9	RING SPRING 14
003	346834-0	WASHER 16
004	233992-0	RING SPRING 15
005	267114-0	FLAT WASHER 17
006	455393-4	CHUCK COVER
007	325813-1	RING 21
008	346177-0	GUIDE WASHER
009	233916-6	CONICAL COMP. SPRING 21-29
010	126882-3	GRIP ASSEMBLY
010		INC. 11-19
011	144959-2	LOCK BUTTON COMPLETE
012	233360-7	COMPRESSION SPRING 4
013	265625-9	THUMB SCREW M6X50
014	422258-5	SPONGE SHEET
015	458355-1	SIDE HANDLE BASE
016	931302-2	HEX. NUT M6
017	458357-7	GRIP 36
018	422255-1	CAP
019	161838-9	FIX PIN
020	266351-3	TAPPING SCREW 4X35
021	144965-7	GEAR HOUSING COMPLETE
C10	213345-9	OIL SEAL 25
C20	331890-3	CUP SLEEVE
022	211294-4	BALL BEARING 6806LLU
023	211012-0	BALL BEARING 606ZZ
024	233360-7	COMPRESSION SPRING 4
025	347228-2	LOCK PLATE
026	213278-8	O RING 17
027	135961-6	CHANGE LEVER ASSY
027		INC. 26
028	234264-6	COMPRESSION SPRING 3
029	457709-9	LOCK BUTTON
030	216022-2	STEEL BALL 7.0
031	216019-1	STEEL BALL 3
032	142972-4	TOOL HOLDER COMPLETE
C10	213344-1	OIL SEAL 9
033	332139-4	DRIVING FLANGE
034	227360-7	SPUR GEAR 51
035	234148-8	COMPRESSION SPRING 31
036	267153-0	FLAT WASHER 30
037	257932-4	SPIRO LOCK WASHER 30
038	267153-0	FLAT WASHER 30
039	325783-4	SLEEVE 9B
040	325789-2	IMPACT BOLT A
041	325792-3	WASHER 10
042	234149-6	COMPRESSION SPRING 20

043	325793-1	O-RING CASE B
044	213073-6	O RING 9
045	233979-2	RING SPRING 28
046	325784-2	STRIKER
047	213258-4	O RING 17.5
048	327079-9	PISTON CYLINDER
049	346036-8	GUIDE PLATE
050	324215-8	PISTON JOINT
051	232449-8	COMPRESSION SPRING 14
052	265A87-7	TORX SOCKET BUTTON BOLT M4 X8
053	347344-0	SPRING GUIDE
054	922148-7	HEX. SOCKET HEAD BOLT M4X25
055	144960-7	INNER SUPPORT COMPLETE
056	257336-0	STOP RING EXT U-6
057	253186-1	FLAT WASHER 7
058	226170-9	SPUR GEAR 10
059	332125-5	CLUTCH CAM
059-1	310678-4	CLUTCH CAM
060	327078-1	CAM SHAFT
061	219030-2	SWASH BEARING 10
062	257321-3	RING 8
063	346538-4	WEIGHT HOLDER GUIDE
064	253077-6	FLAT WASHER 6
065	961018-5	STOP RING E-5
066	310869-7	COUNTER WEIGHT
067	922148-7	HEX. SOCKET HEAD BOLT M4X25
068	319674-9	BEARING BOX
069	211032-4	BALL BEARING 608ZZ
070	347343-2	BEARING RETAINER B
071	221599-4	SPIRAL BEVEL GEAR 32
072	213850-6	O-RING 74
073	256536-9	FLAT FILLISTER HD PIN 6
074	136194-6	INNER HOUSING ASS'Y
074		INC. 52,53,72,76,78
075	232436-7	COMPRESSION SPRING 10
076	443153-6	FELT
077	922118-6	HEX. SOCKET HEAD BOLT M4X12
078	213008-7	O RING 22.4
079	347230-5	CHANGE PLATE B
080	234343-0	COMPRESSION SPRING 5
081	347229-0	CHANGE PLATE A
082	346536-8	BEARING RETAINER A
083	144964-9	SPIRAL BEVEL GEAR 11 COMPLETE
084	210024-0	BALL BEARING 608LLU
085	253835-0	FLAT WASHER 8
086	519513-5	ROTOR ASSY
086		INC. 83-85,87
086-1	619841-9	ROTOR
086-1		INC. 83-85,87
087	210022-4	BALL BEARING 626DDW

088	629454-8	STATOR
089	652069-6	FLAT HEAD SCREW M3X6
090	266490-9	TAPPING SCREW PT 2X6
091	620B98-9	CONTROLLER
091-1	620K79-7	CONTROLLER
091-2	620P10-3	CONTROLLER
094	140G30-2	CAP COMPLETE
C10	213218-6	O RING 16
C11	213A05-9	O-RING16
C20	818H48-4	CAP LABEL
097	127344-4	HOOK ASS'Y
097-1	122B76-0	HOOK ASSEMBLY
098	911211-1	PAN HEAD SCREW M5X12
098-1	911218-7	PAN HEAD SCREW M5X14
099	620C01-6	SENSOR CIRCUIT
100	266007-8	TAPPING SCREW BIND PT 3X10
101	256886-2	ROD 3
102	422472-3	SPONGE SLEEVE 3
103	264002-2	SQUARE NUT M5
104	459184-5	CUSHION RING 12
105	183N64-4	HOUSING SET
105		INC. 112
106	266326-2	TAPPING SCREW 4X18
107	856N18-1	HR001G NAME PLATE
108	8008C4-9	CLEAR LABEL
109	620C00-8	ACCELEROMETER CIRCUIT
110	346039-2	SUPPORT PLATE
111	620549-0	LED CIRCUIT
112	183N64-4	HOUSING SET
112		INC. 105
113	233598-4	TORSION SPRING 6
114	313226-8	OPENER
115	632P64-8	TERMINAL UNIT
116	856N25-4	HR001G SERIAL NO. LABEL
117	266326-2	TAPPING SCREW 4X18
118	183N52-1	HANLDE SET
C10	263005-3	RUBBER PIN 6
118		INC. 122
119	453124-5	F/R CHANGE LEVER
120	651439-6	SWITCH C3JR-4B-2
121	8005T5-8	XGT LOGO LABEL
122	183N52-1	HANLDE SET
C10	263005-3	RUBBER PIN 6
122		INC. 118
123	135966-6	TOOL HOLDER ASSY
123		INC. 31-37,39-45
A01	331886-4	DEPTH GAUGE
A02	198993-4	GREASE VESSEL SET
A03	443122-7	CLOTH
A05	8007U3-1	HR001GM201 PLASTIC CASE LABEL
A06	8007U2-3	HR001GM201 INDICATION LABEL

		L
A07	821552-6	CONNECTOR PLASTIC CASE (TYPE4)
C10	453974-8	LATCH
A08	835C84-5	INNER TRAY
A11	191B26-6	BATTERY BL4040 SET
A12	412393-7	BATTERY COVER
A12-1	412393-7	BATTERY COVER
A13	***DC40RA	DC40RA FAST CHARGER
A13		COMPO-PARTS
B01	199233-3	HAMMER SERVICE KIT
C10	195127-0	OIL VESSEL SET
B01		INC. 1,2,4,30,44,45,47
B02	191C37-7	HOOK SET
B02		INC. 97,98,103
B02-1	191W90-3	HOOK SET
C10	911218-7	PAN HEAD SCREW M5X14
B02-1		INC. 97,103
F07	191E54-9	DX12DUST COLLECTION SYSTEM SET
F16	195548-6	JOINT 22-38 SET
F21	199557-7	FILTER SET
G12	1914X3-8	DUST EXTRACTION PAD SET

Model No.GA005G 125MM CORDLESS ANGLE GRINDER

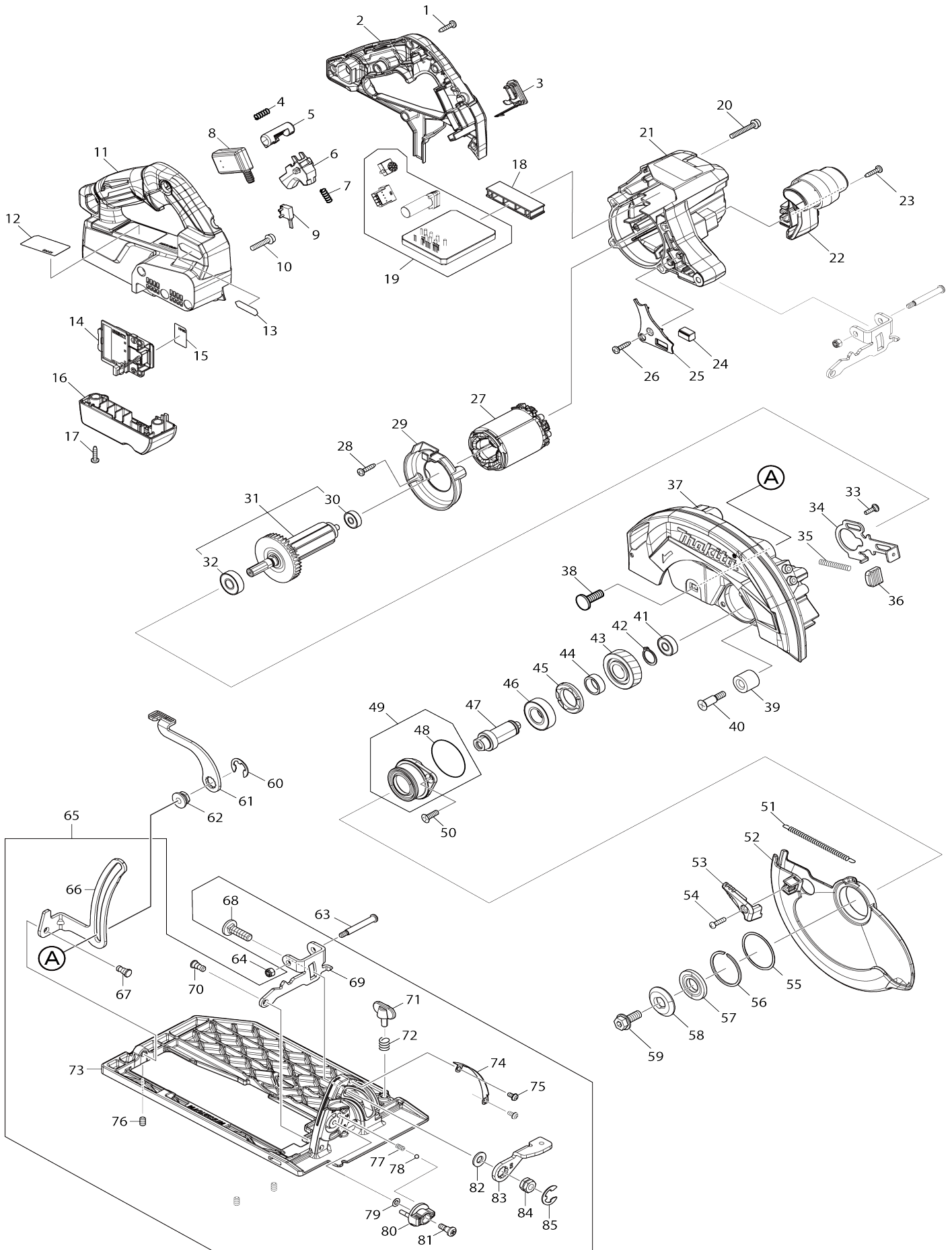


Model No.GA005G 125MM CORDLESS ANGLE GRINDER

Item No.	Parts No.	Description
001	455447-7	SWITCH KNOB
002	183N63-6	MOTOR HOUSING SET
C10	263005-3	RUBBER PIN 6
002		INC. 40
003	266326-2	TAPPING SCREW 4X18
004	422563-0	DUST COVER
005	210023-2	BALL BEARING 627DDW
005-1	210325-6	BALL BEARING 627DDW
006	519595-7	ROTOR ASS'Y
006		INC. 5
006-1	510614-2	ROTOR ASS'Y
006-1		INC. 5
007	136190-4	GEAR HOUSING COVER ASS'Y
007		INC. 8
008	213445-5	O-RING 26
009	210042-8	BALL BEARING 629LLB
010	226976-5	SPIRAL BEVEL GEAR 10
011	252186-8	HEX. NUT M6
012	136198-8	GEAR HOUSING ASS'Y
012		INC. 13-17
013	412234-7	PIN CAP
014	233072-2	COMPRESSION SPRING 8
015	263002-9	RUBBER PIN 4
016	213960-9	O RING 5
017	256546-6	SHOULDER PIN 4
018	266048-4	TAPPING SCREW 4X40
019	210033-9	BALL BEARING 696ZZ
020	233950-6	RING SPRING 11
021	226862-0	SPIRAL BEVEL GEAR 37
022	962151-6	RETAINING RING R-32
023	211129-9	BALL BEARING 6201DDW
024	213622-9	O RING 45
024-1	213622-9	O RING 45
025	136197-0	BEARING BOX ASS'Y
025		INC. 24
025-1	136262-5	BEARING BOX ASS'Y
C10	213510-0	O RING 36
025-1		INC. 24,31
026	327322-6	SLEEVE 4
027	232490-1	COMPRESSION SPRING 4
028	347641-4	LEVER B
029	911159-7	PAN HEAD SCREW M4X30
030	911138-5	P.H.SCREW M4X20 WITH WR
031	232542-8	COILED WAVE SPRING 41
031-1	232542-8	COILED WAVE SPRING 41
032	962105-3	RETAINING RING R-26
033	326672-6	SPINDLE

034	310514-4	LEAD FLANGE
035	347480-2	WHEEL COVER 125
035-1	141P46-4	WHEEL COVER 125 COMPLETE
C10	8050A1-8	CAUTION LABEL
036	224447-6	INNER FLANGE 42B
037	224554-5	LOCK NUT 14-45
038	8007R2-2	XGT LOGO LABEL
039	422563-0	DUST COVER
040	183N63-6	MOTOR HOUSING SET
C10	263005-3	RUBBER PIN 6
040		INC. 2
041	651445-1	SWITCH FPM-1130
042	233121-5	COMPRESSION SPRING 4
043	412233-9	SWITCH LEVER
044	629458-0	STATOR COMPLETE
045	632P65-6	TERMINAL UNIT
046	8008U5-3	CLEAR LABEL
047	856U17-5	GA005G NAME PLATE
048	856U23-0	GA005G SERIAL NO. LABEL
A01	158237-4	GRIP 36 COMPLETE
A02	A-80656	GRINDING WHEEL 125 WA36N
A03	782423-1	LOCK NUT WRENCH 35
A04	412393-7	BATTERY COVER
A05	***DC40RA	DC40RA FAST CHARGER
A05		COMPO-PARTS
A06	191B36-3	BATTERY BL4025 SET
A06	191B26-6	BATTERY BL4040 SET
A07	821552-6	CONNECTOR PLASTIC CASE (TYPE 4)
C10	453974-8	LATCH
A08	8010Y4-8	GA005GD201 INDICATION LABEL
A08	8011C0-8	GA005GM201 INDICATION LABEL
A09	8010Y5-6	GA005GD201 PLASTIC CASE LABEL
A09	8011C1-6	GA005GM201 PLASTIC CASE LABEL
A10	835E79-0	INNER TRAY
A12	199710-5	CUTTING W.C.A. 125 SET
F04	194514-0	VIBRATION PROOF GRIP SET
F13	191W05-0	115/125MM DUST COVER SET
C10	743129-6	BRUSH A
C20	743130-1	BRUSH B
F19	1910Y0-7	WHEEL COVER 125C SET

Model No.HS003G 185MM CORDLESS CIRCULAR SAW



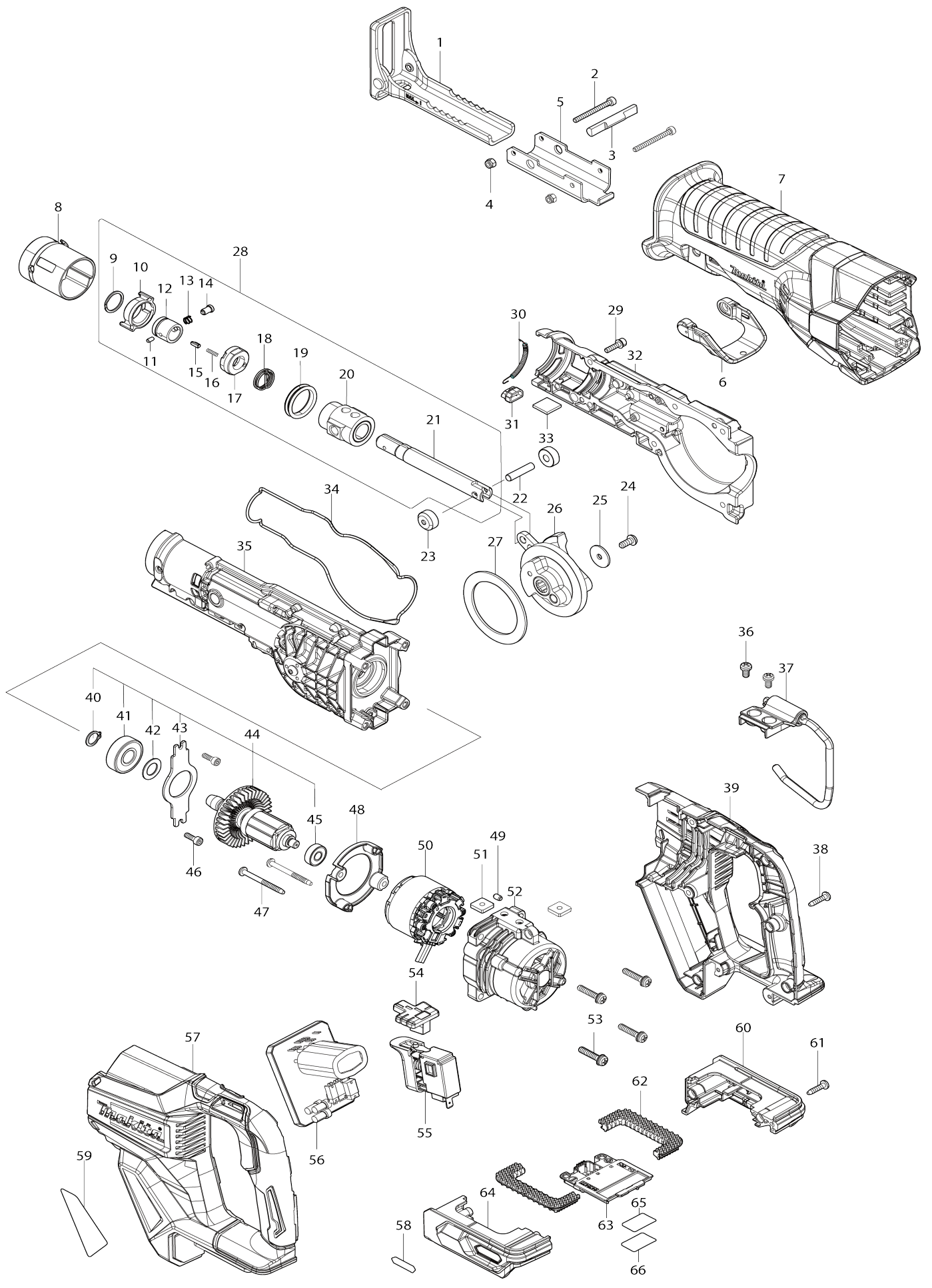
Model No.HS003G 185MM CORDLESS CIRCULAR SAW

Item No.	Parts No.	Description
001	266326-2	TAPPING SCREW 4X18
002	183R15-1	HANDLE SET
C10	263005-3	RUBBER PIN 6
002		INC. 11
003	140F99-0	CAP COMPLETE
C10	213218-6	O RING 16
C11	213A05-9	O-RING16
C20	818H07-8	CAP LABEL
004	231433-0	COMPRESSION SPRING 4
005	419704-7	LOCK OFF BUTTON
006	458594-3	SWITCH LEVER
007	231433-0	COMPRESSION SPRING 4
008	651083-9	SWITCH C3XA-1PSPM
009	632M92-5	SWITCH UNIT
010	911243-8	PAN HEAD SCREW M5X25
011	183R15-1	HANDLE SET
C10	263005-3	RUBBER PIN 6
011		INC. 2
012	857E33-4	HS003G NAME PLATE
013	8012U4-2	XGT LOGO LABEL
014	632P65-6	TERMINAL UNIT
015	857E38-4	HS003G SERIAL NO. LABEL
016	140S46-9	TERMINAL HOUSING COMPLETE
C10	263005-3	RUBBER PIN 6
017	266326-2	TAPPING SCREW 4X18
018	412480-2	SPACER
019	620D01-2	CONTROLLER
019-1	620L81-6	CONTROLLER
020	911258-5	PAN HEAD SCREW M5X35
021	458746-6	MOTOR HOUSING
022	458750-5	FRONT GRIP
023	266326-2	TAPPING SCREW 4X18
024	620936-3	LED CIRCUIT
025	458751-3	LIGHT COVER
026	266326-2	TAPPING SCREW 4X18
027	629479-2	STATOR
027-1	629C02-1	STATOR
028	266326-2	TAPPING SCREW 4X18
029	458749-0	BAFFLE PLATE
030	210022-4	BALL BEARING 626DDW
031	519534-7	ROTOR ASSY
031		INC. 30,32
032	210059-1	BALL BEARING 6000DDW
033	251529-1	+ PAN HEAD SCREW M4X14
034	347676-5	SHAFT LOCK
035	233084-5	COMPRESSION SPRING 6
036	286039-9	CAP

037	140S42-7	BLADE CASE COMPLETE
C10	213434-0	O RING 26
C20	263005-3	RUBBER PIN 6
C30	818C45-0	SCALE LABEL
038	266396-1	FLATHEAD SQUARENECKBOLT M 8X24
039	262185-2	RUBBER SLEEVE8
040	251572-0	+ COUNTERSUNK HEAD SCREW M6X30
041	210029-0	BALL BEARING 608ZZ
042	961057-5	RETAINING RING S-17
043	226838-7	HELICAL GEAR 37
044	257451-0	RING 17
045	285809-3	BEARING RETAINER 23-36
046	210301-0	BALL BEARING 6003DDW
047	327192-3	SPINDLE
048	213565-5	O RING 42
049	136021-7	BEARING BOX ASSY
049		INC. 48
050	265034-2	+ COUNTERSUNK HEAD SCREW M5X16
051	232467-6	TENSION SPRING 4
052	319970-5	SAFETY COVER
053	271448-5	LEVER 37
054	265178-8	PAN HEAD SCREW M4X16
055	267337-0	FLAT WASHER 40
056	257452-8	RETAINING RING (EXT) WR-40
057	224593-5	INNER FLANGE 35
058	224409-4	OUTER FLANGE 35
059	266283-4	HEX. SOCKET HEX. BOLT M8X20
060	257953-6	BOW STOP RING E-12
061	271460-5	LEVER 90
062	252262-8	COLLERED HEX. NUT M8
063	265075-8	+ PAN HEAD SCREW M5
064	252103-8	HEX. LOCK NUT M5-8
065	136274-8	BASE ASSY
065		INC. 66-85
066	347439-9	DEPTH GUIDE
067	256511-5	SHOULDER PIN 6-7
068	266227-4	CAP SQUARE NECK BOLT M8X28
069	347440-4	ANGULAR GUIDE
070	256511-5	SHOULDER PIN 6-7
071	265701-9	THUMB SCREW M6X14
072	233376-2	COMPRESSION SPRING 8
073	319972-1	BASE
074	347442-0	SCALE PLATE
075	251358-2	+ PAN HEAD SCREW M4X8
076	266229-0	H.S.SET SCREW(CUP POINT)M5X8
077	233314-4	COMPRESSION SPRING 4
078	216008-6	STEEL BALL 4
079	253811-4	FLAT WASHER 5
080	450704-8	DIAL 27

081	251370-2	+ PAN HEAD SCREW M5
082	941201-0	FLAT WASHER 8
083	346003-3	LEVER PLATE
084	264006-4	HEX. NUT M8-13
085	257953-6	BOW STOP RING E-12
086	620K37-3	CONTROLLER B
087	652119-7	PAN HEAD SCREW M2X6
A01	196520-1	DUST NOZZLE SET
A02	B-64185	TCT BLADE190X24T WOOD EFFIC UT
A03	783204-6	HEX. WRENCH 6
A07	412393-7	BATTERY COVER
A08	191B26-6	BATTERY BL4040 SET
A09	***DC40RA	DC40RA FAST CHARGER
A09		COMPO-PARTS
A10	821552-6	CONNECTOR PLASTIC CASE (TYP E4)
C10	453974-8	LATCH
A11	8015K6-6	HS003GM201 INDICATION LABE L
A12	8015K7-4	HS003GM201 PLASTIC CASE LAB EL
A13	835K81-9	INNER TRAY
F02	199386-8	HOOK SET

Model No. JR001G CORDLESS RECIPRO SAW



Model No.JR001G CORDLESS RECIPRO SAW

Item No.	Parts No.	Description
001	162739-4	SHOE
002	265A78-8	HEX SOCKET HEAD BOLT M4X40
003	326599-0	LOCK PIN
004	252126-6	HEX. LOCK NUT M4-7
005	347637-5	SHOE GUIDE PLATE
006	459924-1	LOCK LEVER
007	422542-8	INSULATION COVER
008	459923-3	RELEASE DRUM
008-1	413P68-7	RELEASE DRUM
009	257430-8	RETAINING RING(EXT)18
010	310848-5	DRIVING SLEEVE
011	268094-3	PIN 3
012	327043-0	GUIDE SLEEVE
012-1	327650-9	GUIDE SLEEVE
013	234381-2	COMPRESSION SPRING 6
014	256569-4	SHOULDER PIN 5
015	310912-2	PUSH PIN
016	232472-3	COMPRESSION SPRING 2
017	458968-8	CONNECTING SLEEVE
018	233594-2	TORSION SPRING 17
019	422309-4	RUBBER RING 25
020	140P52-6	SLIDER GUIDE COMPLETE
C10	213174-0	X RING 14
021	327154-1	SLIDER
021-1	327652-5	SLIDER
022	256945-2	PIN 6
023	310991-0	ROLLER
024	265374-8	H.S. BUTTON HEAD SCREW M5X1 2
025	253462-3	FLAT WASHER 5
026	140P53-4	GEAR COMPLETE
027	253463-1	FLAT WASHER 51
028	136224-3	SLIDER ASSY
028		INC. 9-21
029	922128-3	HEX. SOCKET HEAD BOLT M4X16
030	232583-4	TENSION SPRING 3
031	620C32-5	LED CIRCUIT
032	140P51-8	GEAR HOUSING R COMPLETE
032-1	140W37-4	GEAR HOUSING R COMPLETE
032-2	141G35-5	GEAR HOUSING R COMPLETE
032-3	141N96-7	GEAR HOUSING R COMPLETE
033	424858-7	FELT 16X16
034	422541-0	SEAL RING
035	140P50-0	GEAR HOUSING L COMPLETE
035-1	140W36-6	GEAR HOUSING L COMPLETE
035-2	141G34-7	GEAR HOUSING L COMPLETE
035-3	141N95-9	GEAR HOUSING L COMPLETE
036	911206-4	PAN HEAD SCREW M5X10

037	127468-6	HOOK ASSEMBLY
037-1	122F82-9	HOOK ASSEMBLY
038	266326-2	TAPPING SCREW 4X18
039	183N57-1	HANDLE SET
039		INC. 57
040	961052-5	RETAINING RING (EXT) S-12
041	211129-9	BALL BEARING 6201DDW
042	253744-3	FLAT WASHER 12
043	285038-8	BEARING RETAINER 80
044	510447-5	ROTOR ASS'Y
044		INC. 40-43,45
045	210062-2	BALL BEARING 607ZZ
046	922117-8	HEX. SOCKET HEAD BOLT M4X12
047	266425-0	TAPPING SCREW 4X45
048	456178-1	BAFFLE PLATE
049	263002-9	RUBBER PIN 4
050	629470-0	STATOR
050-1	629B69-3	STATOR
051	264002-2	SQUARE NUT M5
052	412476-3	MOTOR HOUSING
053	911243-8	PAN HEAD SCREW M5X25
054	456177-3	CHANGE BUTTON
055	651439-6	SWITCH C3JR-4B-2
056	620C31-7	CONTROLLER
057	183N57-1	HANDLE SET
057		INC. 39
058	8005T5-8	XGT LOGO LABEL
059	856P39-5	JR001G NAME PLATE
060	183N58-9	BATTERY HOUSING SET
C10	263005-3	RUBBER PIN 6
060		INC. 64
061	266326-2	TAPPING SCREW 4X18
062	422543-6	CUSHION RUBBER
063	632P49-4	TERMINAL UNIT
063-1	632P75-3	TERMINAL UNIT
063-2	632P49-4	TERMINAL UNIT
064	183N58-9	BATTERY HOUSING SET
C10	263005-3	RUBBER PIN 6
064		INC. 60
065	856P46-8	JR001G SERIAL NO. LABEL
066	8008P3-2	CLEAR LABEL
067	232746-2	RING SPRING 39
068	620N49-4	CONTROLLER B
069	638A34-5	LEAD UNIT
070	652119-7	PAN HEAD SCREW M2X6
A01	B-05038	RECIPRO SAW BLADE FOR METAL
A02	B-05044	RECIPRO SAW BLADE FOR PLYW OOD
A03	B-05153	RECIPRO SAW BLADE FOR WOO D
A04	821796-8	PLASTIC CASE
C10	162271-8	LATCH

A05	***DC40RA	DC40RA FAST CHARGER
A05		COMPO-PARTS
A06	412393-7	BATTERY COVER
A07	191B26-6	BATTERY BL4040 SET